

JELOLINE 78

Standard wooden windows for energy savings and healthy and comfortable living.

Special feature

78mm thick wooden profile and triple glazing. Classic design of the sash and frame on the outside and inside. Standard wooden window design. Visible or invisible fittings.

Material	spruce, larch, oak
Installation width	78 mm
Visible width of the wooden part	113 mm
Type glass	4-14-4-14-4; $U_g = 0,6 \text{ W/m}^2\text{K}$
Possible glazing thickness	24 – 40 mm

Technical properties

Wood	Profile thickness	U_g	U_f upper transom, upright L,R	U_f bottom transom	Ψ_g	U_w
spruce	78 mm	0,6	1,1	1,2	0,039	0,86
spruce	78 mm	0,7	1,1	1,2	0,039	0,93
larch	78 mm	0,6	1,2	1,3	0,039	0,90
larch	78 mm	0,7	1,2	1,3	0,039	0,96
oak	78 mm	0,6	1,5	1,6	0,039	0,99
oak	78 mm	0,7	1,5	1,6	0,039	1,1

U_g – thermal coefficient of the glass

U_f – thermal coefficient of window profiles

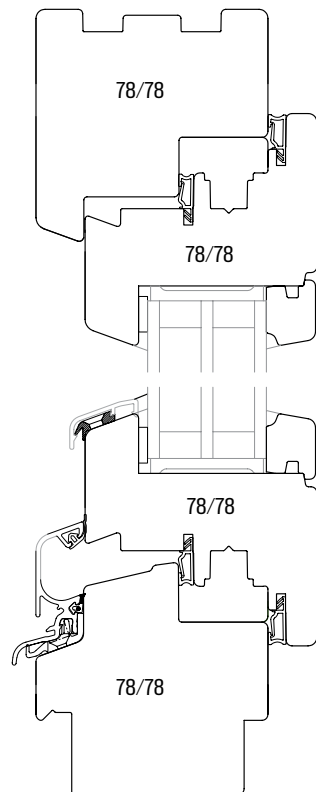
Ψ_g – thermal coefficient of the spacers between panes

U_w – thermal coefficient of the entire window

The thermal transmittances U_w of the windows are calculated for a single-pane window of 123×148cm in accordance with SIST EN ISO 10077-1:2017 and SIST EN 14351-1:2006+A2:2016.

Classic design of the sash and frame on the outside and inside

Section



Inside view

